

# NOLTING®

## LONGARM QUILTING MACHINES



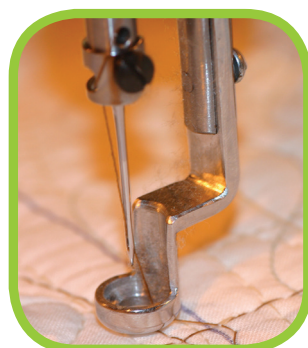
## The Quilting Bee

The Quilting Bee Allows Free Motion Quilting With A Large Throat Space Advantage.

- Over 15" throat depth, with 8" of inside height.
- Perpendicularly mounted sewing head allows for free continuous sewing.
- No feed dogs for multi-directional motion quilting.
- 30" x 48" round corner table providing six times the sewing surface.
- Fluorescent light above the needle.
- Round hopping foot for using rulers and templates.
- Light weight machine body with walls constructed of strong solid aluminum.
- Complete system includes table and accessories.
- Custom built, individually, by skilled craftsmen at the Nolting manufacturing facility in Hiawatha, Iowa.



Vari-Drive Speed Controller



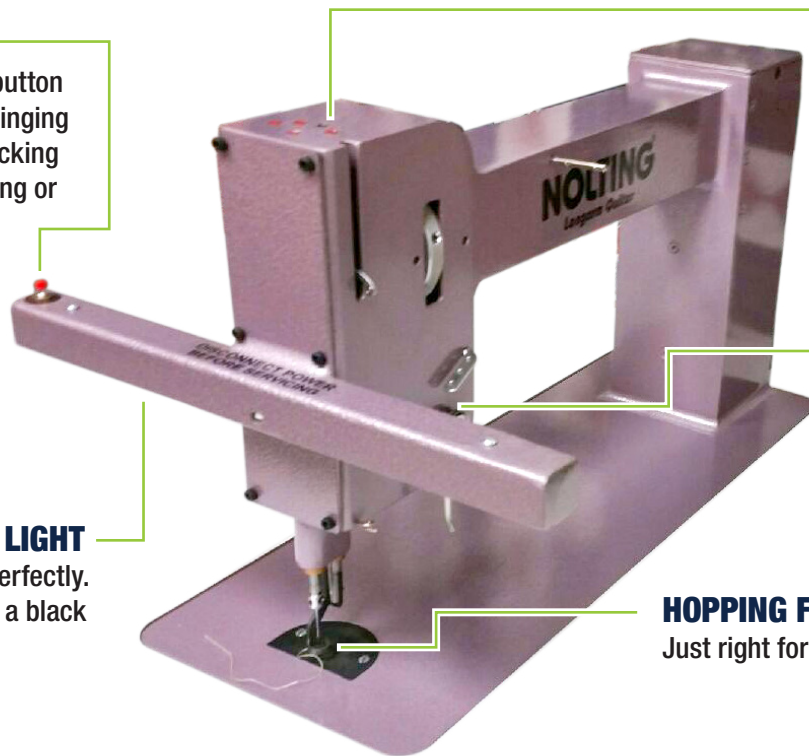
Round Foot For Ruler Guides

### NEEDLE BUTTON

The Needle up/down button is great for basting, bringing up bobbin thread or locking stitches at the beginning or end of your design.

### 12" FLORESCENT LIGHT

Light the work area perfectly. Switch out and insert a black light when needed.



### LOW MAINTENANCE

Only 1 drop of oil every 8 hours of continuous use. No oil reservoirs or complex places to access.

### THREAD PATH

Obvious thread path and tension device help you achieve your desired stitch quality.

### HOPPING FOOT ASSEMBLY

Just right for rulers and guides.

## THE QUILTING BEE SYSTEM

All Quilting Bees systems include machine, needles, bobbins, bobbin winder, thread stand, round corner table, product manuals, and 5-year warranty. Additionally, Nolting offers exceptional services such as delivery, package installations, and superior professional training. Ask your Nolting representative today.



Bobbin Winder



"M" Bobbin



30" x 48" Round Corner Table

**NOLTING AREA DEALER:**

# NOLTING®

1105 Hawkeye Dr. • Hiawatha, Iowa 52233

Phone: (319) 378-0999

Email: [nolting@nolting.com](mailto:nolting@nolting.com)

[www.nolting.com](http://www.nolting.com)

